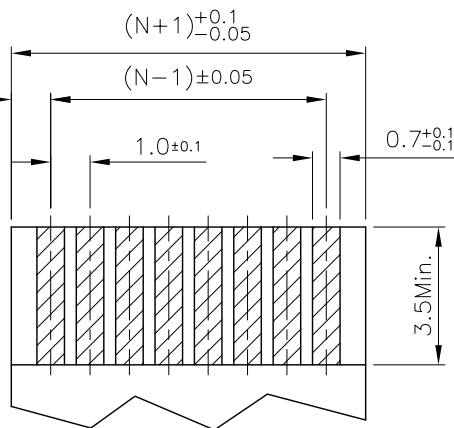


PC BOARD LAYOUT

板厚: T=1.6



APPLICABLE FPC/FFC RECOMMENDED DIMENSION

THICKNESS 0.30±0.03

NOTES:

1. MATERIAL:
  - 1.1 HOUSING: NYLON 46,UL94V-0; COLOR:NATURAL.
  - 1.2 CONTACT: COPPER ALLOY
2. FINISH:
  - 2.1 CONTACT:
    - 50u" MIN. NICKEL UNDERPLATING OVERALL.
    - 1: GOLD FLASH OVERALL.
    - N: 120u" MIN. Pure Tin(MATT TIN) OVER ALL.
  - 2.2 FITTING NAIL:
    - 50u" MIN. NICKEL UNDERPLATING OVERALL.
    - 1: GOLD FLASH OVERALL.
    - N: 120u" MIN. Pure Tin(MATT TIN) OVER ALL.
3. WAVE SOLDER CAPABLE TO 235°C PER ACES SPEC.
4. SPEC. PLS. REFER TO SPEC-50652-XXXX-XXX
5. PACKAGE PLS. REFER TO 88274-TB

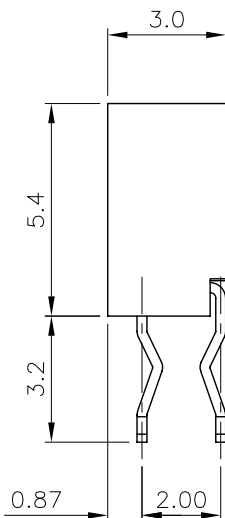
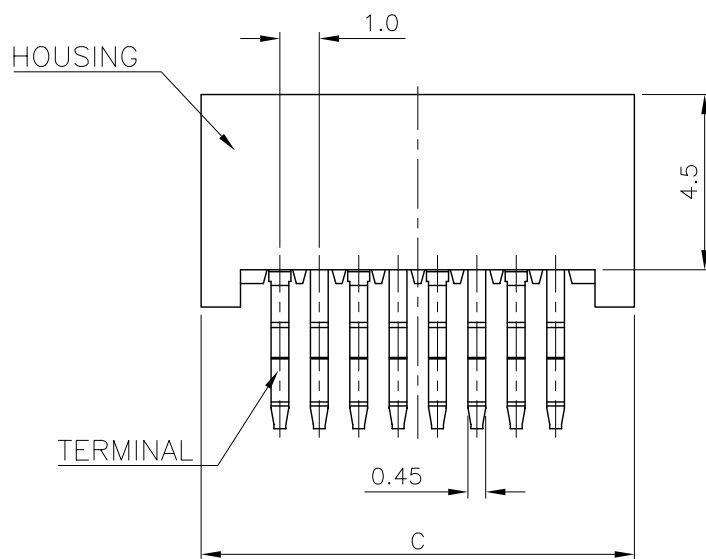
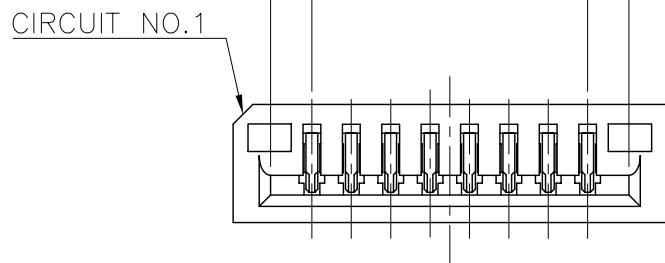
P/N LEGEND

50657-XXX X X-XXX

No Of Contact  
Packing  
1:Tube Package

XXX	Housing MAT.	Housing Color.
001	HF PLASTIC	BLACK

Plating  
1:G/F over all(lead free)  
N:MATT TIN(lead free)



CKT	Dim A	Dim B	Dim C	CKT	Dim A	Dim B	Dim C
3	2.0	4.1	6.0	18	17.0	19.1	21.0
4	3.0	5.1	7.0	19	18.0	20.1	22.0
5	4.0	6.1	8.0	20	19.0	21.1	23.0
6	5.0	7.1	9.0	21	20.0	22.1	24.0
7	6.0	8.1	10.0	22	21.0	23.1	25.0
8	7.0	9.1	11.0	23	22.0	24.1	26.0
9	8.0	10.1	12.0	24	23.0	25.1	27.0
10	9.0	11.1	13.0	25	24.0	26.1	28.0
11	10.0	12.1	14.0	26	25.0	27.1	29.0
12	11.0	13.1	15.0	27	26.0	28.1	30.0
13	12.0	14.1	16.0	28	27.0	29.1	31.0
14	13.0	15.1	17.0	29	28.0	30.1	32.0
15	14.0	16.1	18.0	30	29.0	31.1	33.0
16	15.0	17.1	19.0				
17	16.0	18.1	20.0				

一般公差 <b>TOLERANCES</b> X ±0.5    XX ±0.15 X ±0.25    XXX ±0.1 ANGLES    ±2°		<b>宏致電子股份有限公司</b> Aces Electronic Co.,Ltd.	
檢驗尺寸標示 <b>SYMBOLS</b> ⊕ INDICATE CLASSIFICATION DIMENSION		品名 (TITLE) 1.0mm NON ZIF FPC T/H S/T TYPE	
⊕ MARK IS CRITICAL DIM. ⊕ MARK IS MAJOR DIM.		圖號 (DWG.NO) 50657-XXXXX -XXX	
表面處理 (FINISH)		比例 (SCALE) 單位 (UNITS) 5:1    mm	
製圖 (DR) WEILIANG 08/10/15 審核 (CHKD) WGCH		核准 (APPD) JASON	
張數 (SHEET) 1 OF 1 尺寸 (SIZE) A4 版數 (REV) 0			

REV	REVISION DESCRIPTION	DATE	SIGNATURE
0	新圖製成	08/10/20	wuwei liang